



arplay **medical**

## Arplay ISO-a-liner

*ISO-a-liner ARB129 is an Isocentric aligner for laser and beam checking allowing :*

- *accurate alignment of the beam*
- *perfect correlation between simulation and beam.*

**ISO-a-liner is :**

- *light (6 kg)*
- *compact ; size (51,6x24,5x33)cm.*

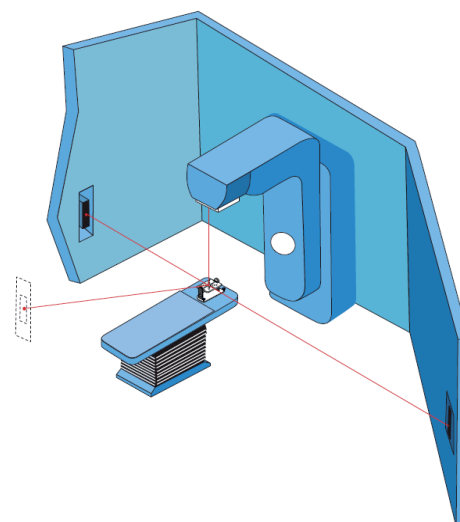
**ISO-a-liner helps :**

- *checking rapidly and accurately the laser beam alignment through the isocentre of the machine (Accelerator, Cobalt, Simulator)*
- *emphasizing the match between the luminous simulation and the irradiation beam*
- *improving control over the treatment quality assurance.*



**It includes the following components:**

- *a base plate, 10 cm thick, resting on 3 adjustable legs all made from DELRIN material.*
- *2 vertical metallic fixtures holding a 3 position rotating plate (90°, 0°, 270°). It is endowed with a slot allowing the slippage of a radiological film (24x30 cm). This plate is pierced with holes allowing punching and marking of the film, thus materializing square fields (05x05 cm, 10x10 cm, 20x20 cm) on the negative film.*
- *1 bubble leveller imbedded into the tilting plate, which allows a perfect horizontal evening out.*



Arplay Medical SAS 1 route de Cîteaux, 21110 Izeure, France  
tél +33 3 80 29 74 01 fax +33 3 80 29 76 22 [www.arplay.com](http://www.arplay.com) [www.teambest.com](http://www.teambest.com)

AFRICA | ASIA | EUROPE | LATIN AMERICA | MIDDLE EAST | NORTH AMERICA